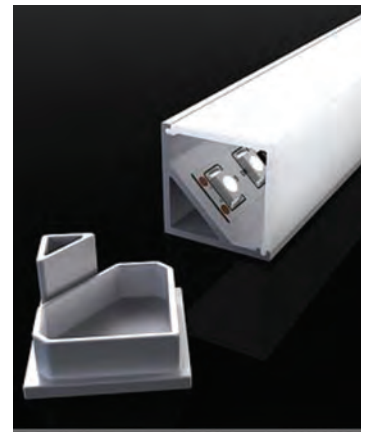
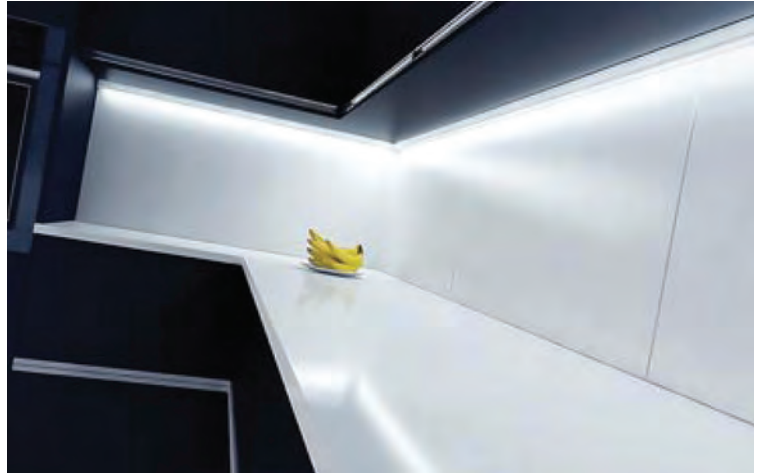


# LED Aluminium Profiles

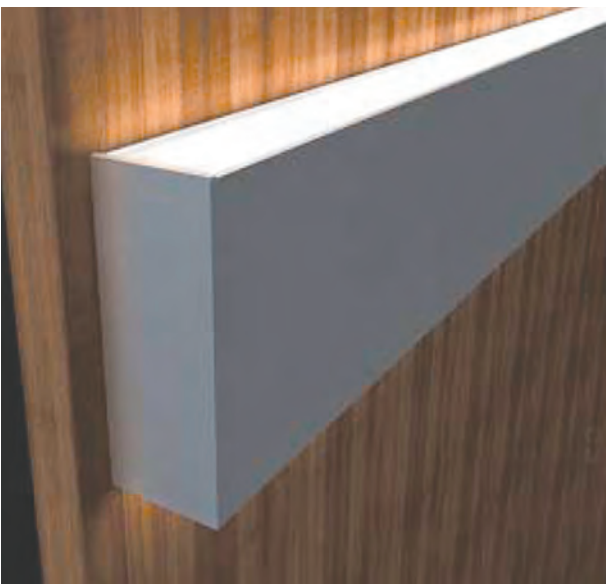


**TEC LED LIGHTING introduces its range of aluminium extrusion mounting systems.**

Each extrusion is designed to house our standard flat flex LED strips and provide a myriad of options when a particular lighting effect is desired. Extrusions and a selection of diffuser inserts with matching end caps are available in lengths of up to 2500mm.

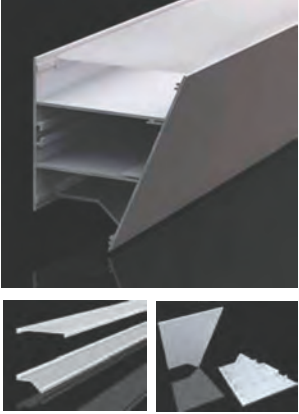
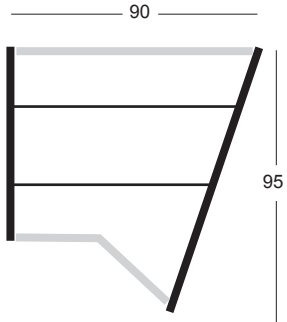

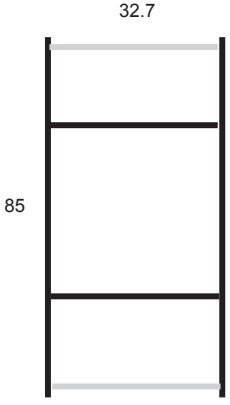
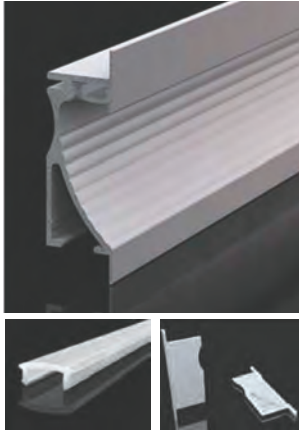
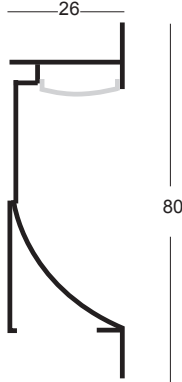
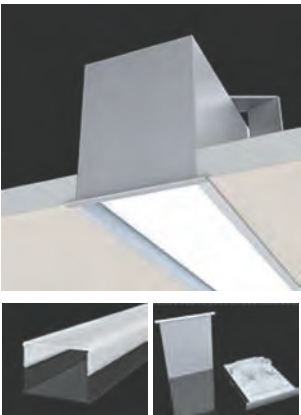
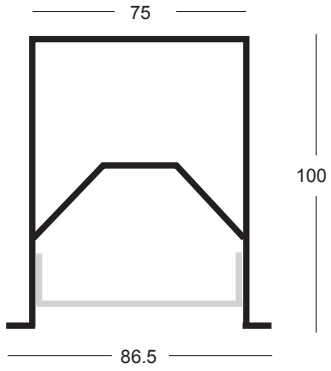
Not only does an extrusion prolong the life of the flat flex LED strip, it also ensures even and consistent lighting.

[www.tec-ledlighting.com.au](http://www.tec-ledlighting.com.au)

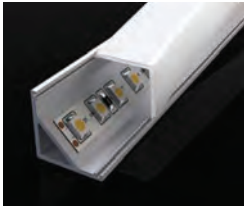
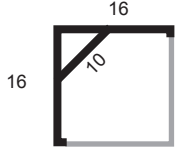

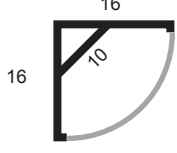
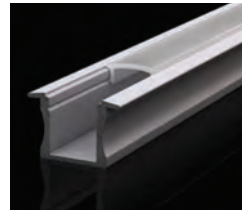
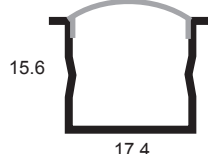
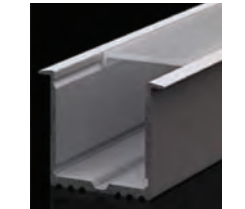
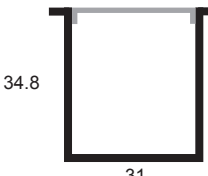

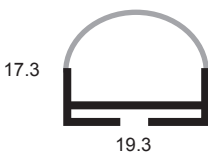
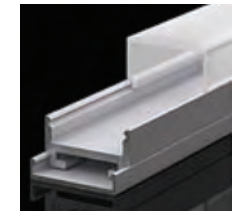
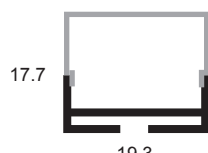

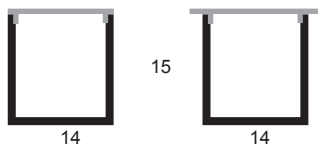

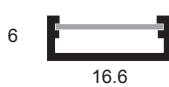


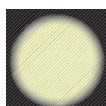


# PRODUCT OVERVIEW

CODE	IMAGE	PROFILE	DESCRIPTION	MOUNTING
<p>Extrusion NS.9080</p> <p>Diffuser PMMA/NS.9080</p> <p>End Cap CAP/NS.9080</p>	 <p>Diffuser      Cap</p>		<p>This profile is designed for wall mounting with light shining in both directions. Bottom V-shaped diffuser perfectly centralises the light.</p>	<b>Wall</b>
<p>Extrusion NS.3385</p> <p>Diffuser PMMA/NS.3385</p> <p>End Cap CAP/NS.3385</p>	 <p>Diffuser      Cap</p>		<p>Surface mount aluminum LED profile Light shines out of top and bottom</p>	<b>Wall</b>
<p>Extrusion VS.2570</p> <p>Diffuser PC/VS.2407/15</p> <p>End Cap CAP/VS.2570</p>	 <p>Diffuser      Cap</p>		<p>Recessed wall / ceiling / floor mounting Enables a unique interior accent lighting effect, either ornamental or primary.</p>	<b>Recessed</b>
<p>Extrusion VS.7510</p> <p>Diffuser PMMA/VS.7510</p> <p>End Cap CAP/VS.7510</p>	 <p>Diffuser      Cap</p>		<p>Recessed lighting for ceilings in offices and living spaces</p>	<b>Ceiling</b>

# PRODUCT OVERVIEW

CODE	IMAGE	PROFILE	DESCRIPTION	MOUNTING
SCT001-opal SCT001-frosted			LED Square profile pmma opal matte diffuser pmma semi-clear matte diffuser <b>Suggested applications:</b> Cabinetwork, wardrobes	<b>Surface</b>
STC002-opal STC002-frosted			LED corner profile pmma opal matte diffuser pmma semi-clear matte diffuser <b>Suggested applications:</b> Cabinetwork, wardrobes	<b>Surface</b>
RLS003-opal RLS003-frosted			15mm recessed LED profile pmma opal matte diffuser pmma semi-clear matte diffuser pmma clear diffuser <b>Suggested applications:</b> Recessed into joinery	<b>Recessed Joinery</b>
RPL35-opal RPL35-frosted			Recessed powerline 35 Ceiling LED lighting pmma opal matte diffuser pmma clear diffuser <b>Suggested applications:</b> Recessed into ceilings or vertical runs in walls	<b>Recessed in wall or ceiling</b>
ARC001-opal ARC001-frosted			LED ceiling profile pmma clear diffuser pmma opal matte diffuser pmma semi-clear matte diffuser <b>Suggested applications:</b> General lighting	<b>Surface or suspended</b>
ARC002-opal ARC002-frosted			LED ceiling profile pmma clear diffuser pmma opal matte diffuser <b>Suggested applications:</b> General lighting	<b>Surface or suspended</b>
LUXXO-opal LUXXC-clear			LED mounted in flush-face channel. Insert with or without wings <b>Suggested applications:</b> Kitchens, Cabinets	<b>Surface or Recessed</b>
U14O-opal U14C-clear			LED mounted in slide-face channel Clear or frosted insert <b>Suggested applications:</b> Kitchens, Cabinets, stairs	<b>Surface</b>



**TEC-Ledlighting Pty Ltd**

Unit 9 / 7-9 Kent Road, Mascot NSW 2020

Telephone: (02) 9317 4177 Free Facsimile: 1800 010 210

Email: sales@tec-ledlighting.com.au