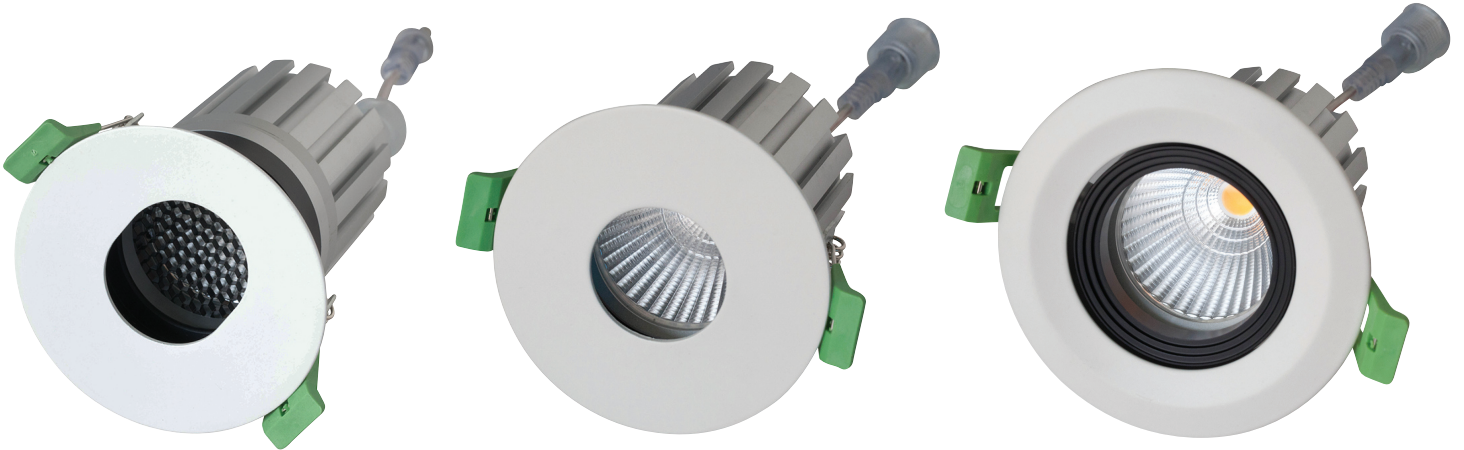




LED Pinhole Downlights

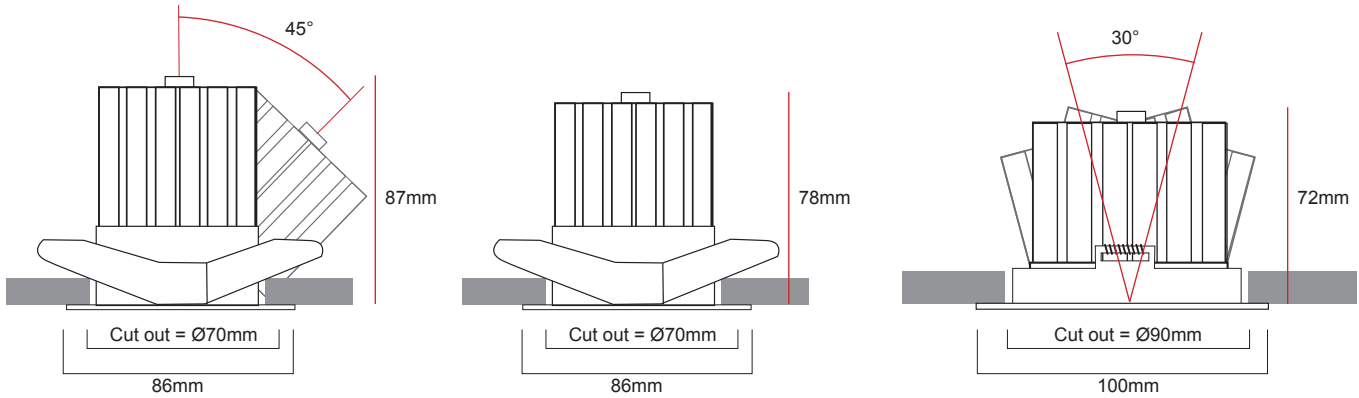
TEC-LED'S new generation pinhole downlights offer a low glare, elegant and decorative option. The narrow beam angle, together with the filter options available give you an opportunity to delicately personalise your lighting effects.



TLL-45
Adjustable
(Shown with honeycomb louvre)

TLL-46
Fixed

TLL-47
Adjustable



FILTERS AVAILABLE
(sold separately)

Honeycomb louvre Frosted Blue Orange Red Green Pink

SPECIFICATIONS

CODE	WATTS	INPUT VOLTAGE	COLOUR TEMP.	LUMENS	BEAM ANGLE	LED CHIP	CRI	CUT OUT
TLL-45	12W/15W	240V	2700K/3000K/4000K/5000K	640/840	15°/24°/38°/60°	CREE COB	>80	Ø70mm
TLL-46	12W/15W	240V	2700K/3000K/4000K/5000K	640/840	15°/24°/38°/60°	CREE COB	>80	Ø70mm
TLL-47	12W/15W	240V	2700K/3000K/4000K/5000K	640/840	15°/24°/38°/60°	CREE COB	>80	Ø90mm



TEC-led lighting Pty Ltd
Unit 9 / 7-9 Kent Road, Mascot NSW 2020
Telephone: (02) 9317 4177
Facsimile: (02) 9317 3544
Email: sales@tec-ledlighting.com.au