



D-LIGHTZ *Tilt* SL111T

LED Tilting Downlight

The **D-Lightz *Tilt***, is the ideal light for recessing into sloped ceilings, highlighting artwork and other general lighting applications.

8.5W 620 Lumen	Colour 2700K - 4000K	Size Ø100 x 45 mm	60° 40° 20° Beam Angles	26° Tilt Angle	IP20 (IP44 option)	Trim Options	White Silver Black
--------------------------	--------------------------------	-----------------------------	-----------------------------------	--------------------------	------------------------------	------------------------	---

5yr Warranty on luminaire

Clever thermal design to allow insulation to cover (patent pending)

Fully sealed product - no air flow

Dimmable driver

ZERO clearance needed to building and low profile - can be used anywhere

IP44 option



Burns bright for up to 60,000 hours (L70)



85% Energy Savings



The only **sealed** tilt light manufactured in New Zealand.

IES - Illuminating Engineering Society of Australia and New Zealand Ltd

TEC-LED Lighting Pty Ltd

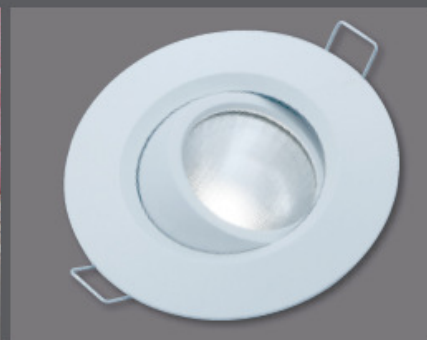
Unit 4, 61-71 Beauchamp Rd. Matraville, NSW 2036 Telephone (02) 9317 4177 Facsimile (02) 9317 3544

Email: sales@tec-ledlighting.com.au Web: www.tec-ledlighting.com.au

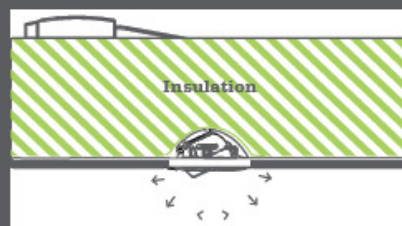
ABN No. 48 093 040 183

D-LIGHTZ *Tilt* SL111T

LED Tilting Downlight
8.5W / 620 lumen



Colour temp	2700K, 3000K, 4000K		
Type	Tilting Downlight		
Dimming	Yes		
Dimensions	100mm x 45mm		
Min hole depth	50mm		
Driver (included)	SL180D - 180mA dimming		
Driver covered	No		
LED power	6.7W		
Luminaire power	8.4W		
Efficacy*	74 L/W		
PF	0.95		
CRI	83		
Luminaire output*	620 Lumen		
IP rating	IP20 (IP44 optional)		
Beam angle	60°	40°	20°
Trim colours	Black / White / Silver		
Cutout	83mm - 92mm		
Classification	IC-F		
Replaces	Any halogen up to 50W with equal or better results		



✓✓ **INSULATION SAFE**
Insulation safely wraps over D-LIGHTZ - Tilt - tested and approved.
Patent pending - application 627338

✓✓ **NO HEAT LOSS**
Sealed design stops chimney effect causing heat loss from the room

✓✓ **SCB & HCB = 0**
Can be used in any room in any position

✓✓ **DIMMABLE DRIVER**
Standard dimming

- Compatible with: PDL universal and trailing edge, Clipsal universal & trailing edge, HPM trailing edge, C-Bus universal dimmer, Control 4 modular dimmer, Clipsal Saturn series dimmers, Legrand EM400A3P, EM450UP

*Specifications are given for the 3000K colour. Specs for other colours may differ slightly

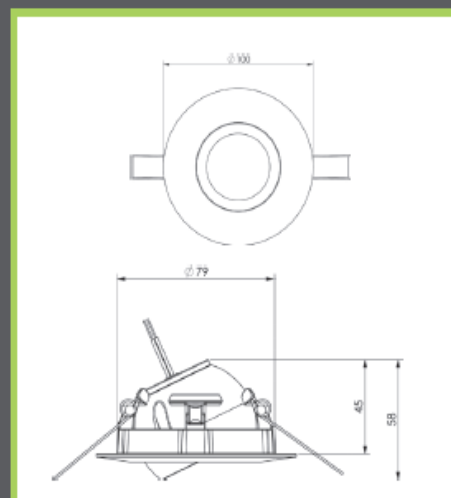
How to Specify eg. code = SL111T-60-40-W-IP (no IP suffix = IP20)

Product	Beam	Colour Temp K	Trim Finish Colour	IP Rating
SL111T	60 = 60° 40 = 40° 20 = 20°	27 = 2700K 30 = 3000K 40 = 4000K	B = Black W = White S = Silver	IP = IP44 = IP20

Light Levels

60° Beam Angle	40° Beam Angle	20° Beam Angle
758 lux @ 1m	1134 lux @ 1m	2350 lux @ 1m
189 lux @ 2m	283 lux @ 2m	587 lux @ 2m
95 lux @ 3m	142 lux @ 3m	294 lux @ 3m
Beam Diameter: 0.1m, 0.2m, 0.3m	Beam Diameter: 0.073m, 0.146m, 0.219m	Beam Diameter: 0.035m, 0.070m, 0.105m

Dimensions



TEC-LED Lighting Pty Ltd

Unit 4, 61-71 Beauchamp Rd. Matraville, NSW 2036 Telephone (02) 9317 4177 Facsimile (02) 9317 3544

Email: sales@tec-ledlighting.com.au Web: www.tec-ledlighting.com.au

ABN No. 48 093 040 183